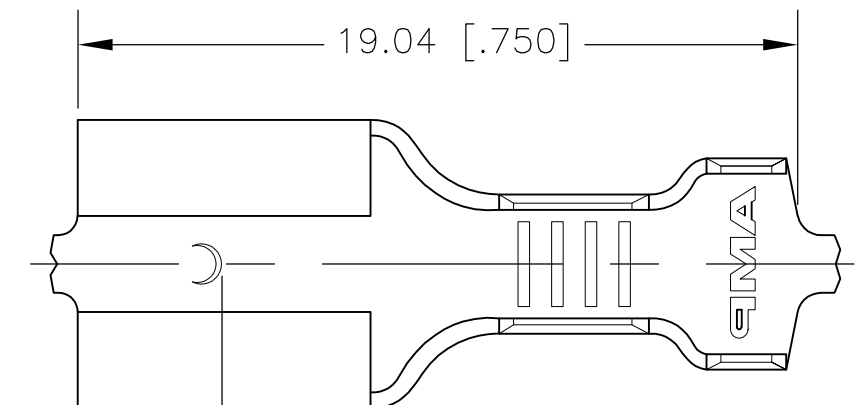
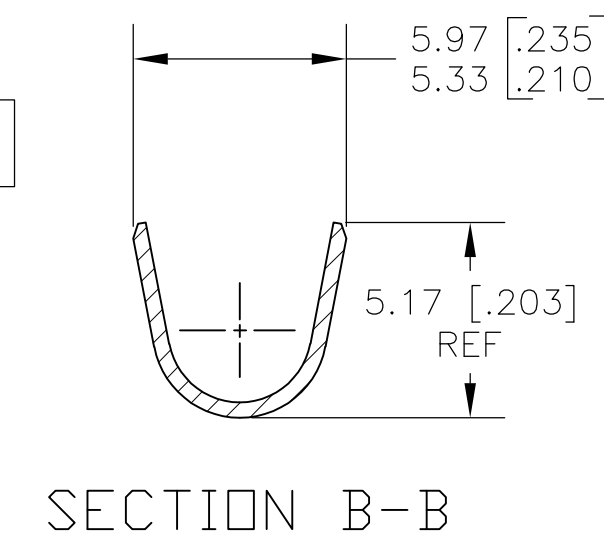
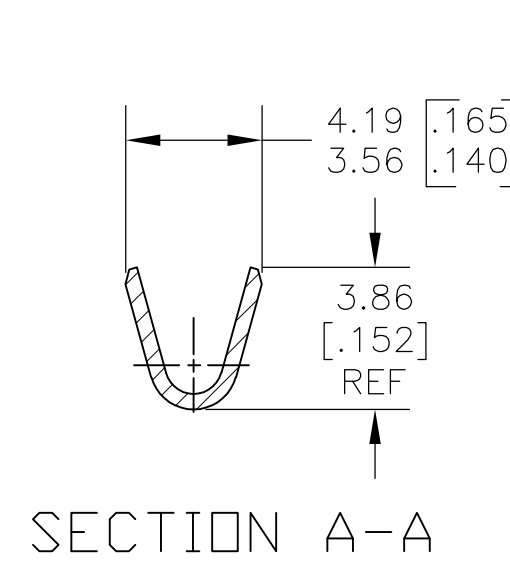
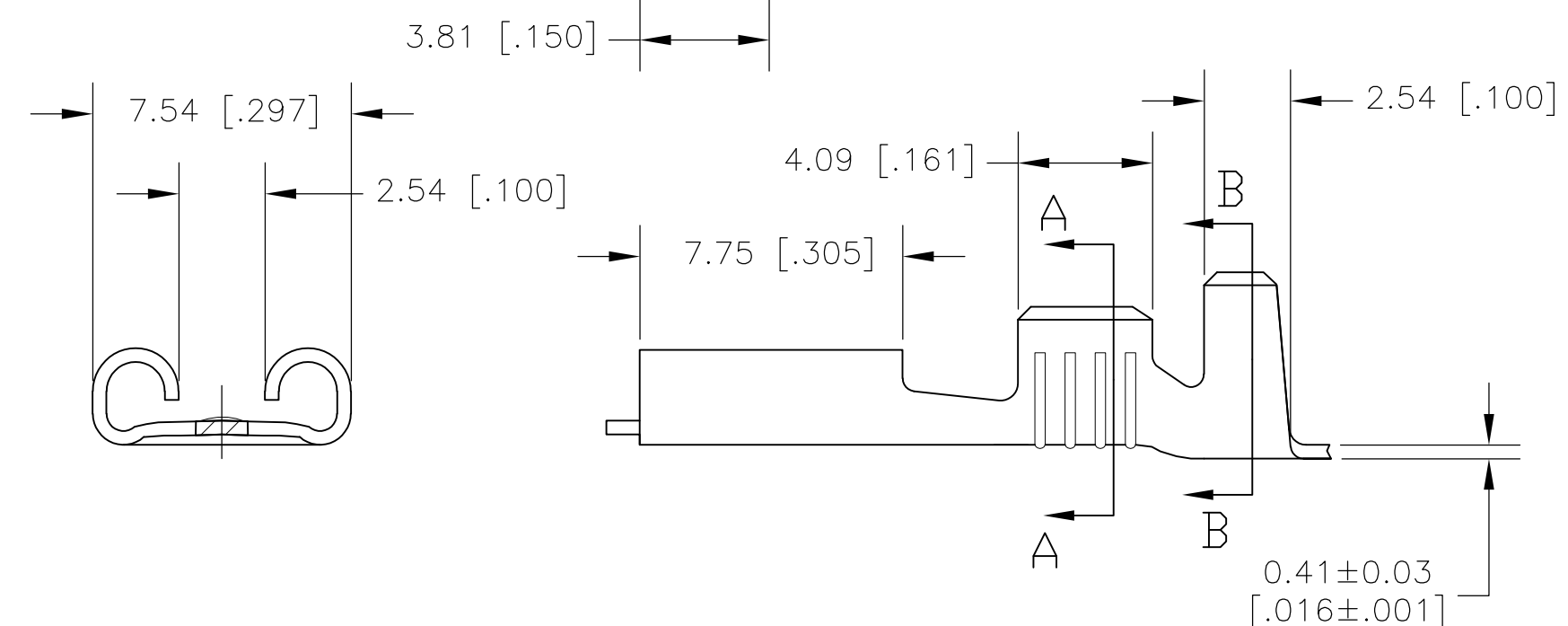


THIS DRAWING IS UNPUBLISHED. RELEASED FOR PUBLICATION  
 © COPYRIGHT BY TYCO ELECTRONICS CORPORATION. ALL RIGHTS RESERVED.

LOC	DIST	REVISIONS			
P	LTR	DESCRIPTION	DATE	DWN	APVD
AF	50	G1	REDRAWN PER ECR 08-002742	30JAN08	JR PD



- CONTINUOUS STRIP ON REELS AT A FEED OF 21.33±0.13 [0.840±0.005].
- MATING TAB THK IS 0.81±0.03 [0.032±0.001]
- WIRE SIZE IS #18-#14 AWG
- INSULATION RANGE IS 3.05-4.32 [0.120-0.170] DIA



TIN PLATED	60650-2
-	60650-1
FINISH	PART NO

THIS DRAWING IS A CONTROLLED DOCUMENT.		DWN jr_ruth 30JAN08	Tyco Electronics Corporation Harrisburg, PA 17105-3608		
DIMENSIONS: MM [INCHES]	TOLERANCES UNLESS OTHERWISE SPECIFIED:	CHK P_DESANTIS 30JAN08	NAME RECEPTACLE, FASTON, .250 SERIES		
	0 PLC ± - 1 PLC ± - 2 PLC ± 0.38 [0.015] 3 PLC ± - 4 PLC ± - ANGLES ± 5°	APVD P_DESANTIS 30JAN08	PRODUCT SPEC	SIZE	CAGE CODE
MATERIAL BRASS	FINISH SEE TABLE	APPLICATION SPEC	---	A3	00779
CUSTOMER DRAWING			WEIGHT	C=60650	RESTRICTED TO
			SCALE	SHEET	REV
			5:1	1 OF 1	G1